

Teil Part	Beschreibung Description	Sachnummer Code no	Position Sheet Pos	Ort Loc
A01	Maschinensteuerung machine controller	97138374		siehe Zusatztab
A02	Bedienfeld touch panel	97140404		siehe Zusatztab
A04	Fahrsteuerung Vorderrad drive controller	97139570		siehe Zusatztab
A05	Fahrsteuerung Hinterrad drive controller	97139562		siehe Zusatztab
A07	Steuerung Seitenbesen controller side brush	90410366		siehe Zusatztab
A20	Fleetrecoreder fleetrecoreder	97131411		siehe Zusatztab
A101	Chemiepumpensteuerung chemical pump controller	97139372	10/28	
B03	Fahrgeber accelerator	97131882	8/40	
B04	Frischwassersensor fresh water sensor	92013481	6/16	
B20	I-Button-Reader i-button-reader	97131429	11/20	
B101	Durchflussmesser flow sensor	90596529	10/30	
C01	Entstärk Kondensator suppressor capacitor front drive	90288879	5/15	
E01	Arbeitscheinwerfer working headlight	97132807	10/5	
E02	Blitzleuchte warning beacon	97084222	10/12	
E02	Blitzleuchte am Schutzdach warning beacon on overhead cover	97084222	10/20	
F01	Sicherung Steuerspannung 7,5A fuse controller 7,5A	19731587	3/15	
F01	Sicherung Steuerspannung 7,5A fuse controller 7,5A	19731587	3/40	
F02	Sicherung Maschinensteuerung 125A fuse machine controller 125A	19731546	4/2	
F03	Sicherung Fahrsteuerung vorne 150A fuse drive controller front 150A	19731561	4/6	
F04	Sicherung Fahrsteuerung hinten 100A fuse drive controller rear 100A	19731553	4/11	
F05	Sicherung Kehrvorsatz/Seitenbesen 30A fuse front sweeper/side broom 30A	19731595	4/14	
F19	Sicherung Hupe 5A fuse horn 5A	19731272	3/19	
F19	Sicherung Hupe 5A fuse horn 5A	19731272	3/44	
G01	Batterie 320Ah PzS battery 320Ah PzS	90683624	3/4	
G01	Batterie 280Ah PzV battery 280Ah PzV	92027515	3/12	
G10	Onboard-Ladegerät 35A onboard charger 35A	97147524	3/5	
H01	Hupe horn	90194911	5/10	
K01	Hauptrelais 2-pol main relais 2-pole	92004282	3/25	
K01	Hauptrelais 1-pol main relais 1-pole	92027176	3/50	
K02	Relais 1-pol relais 1-pole	90267949	8/8	
K03	Relais 1-pol relais 1-pole	90267949	9/27	
K05	Rel. Ausheb. rel. sidebr.	90696857	12/47	
M01	Fahrmotor drive motor	90685835	8/40	
M02	Hinerradantrieb drive motor rear	97141428	9/37	
M03	Bürstenmotor links (Tellerbürste) brush motor left (plate brush)	90577248	7/24	
M03	Bürstenmotor links (Walzenbürste) brush motor left (cylindrical brush)	92009562	7/47	
M04	Bürstenmotor rechts (Tellerbürste) brush motor right (plate brush)	90577248	7/35	
M04	Bürstenmotor rechts (Walzenbürste) brush motor right (cylindrical brush)	92009562	7/58	
M08	Wasserpumpe waterpump	97116529	6/22	
M09	Hubelement Bürstendeck lifting element brushdeck	92023332	7/15	
M10	Hubelement Saugfuß lifting element squeegee	92005727	7/27	
M12	Hubelement Seitenbesenanlage lifting element side brush deck	92005727	12/50	
M16	Saugmotor suction motor	97142475	7/11	

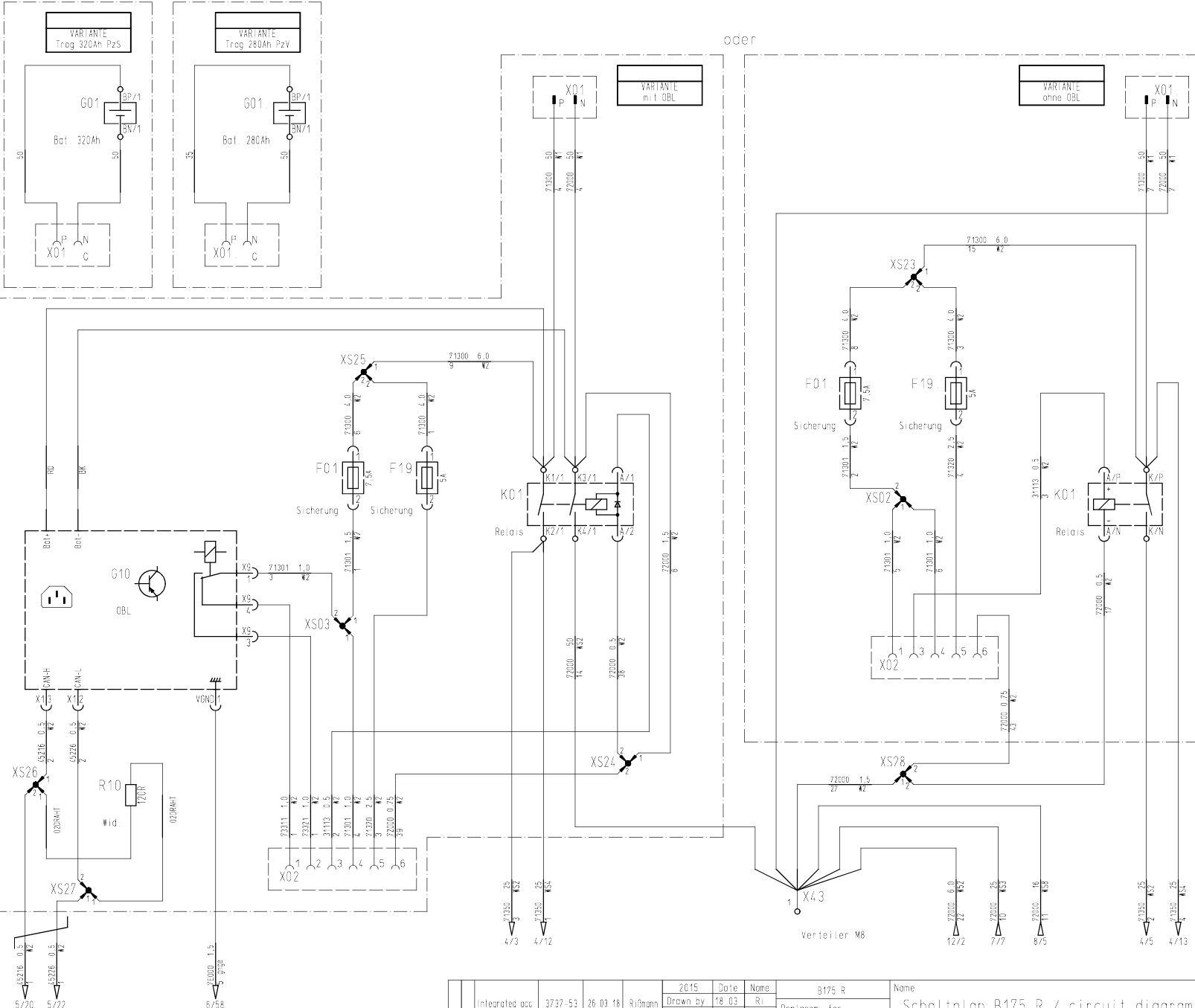
Teil Part	Beschreibung Description	Sachnummer Code no	Position Sheet Pos	Ort Loc
M17	Saugmotor suction motor	97142475	7/15	
M19	Seitenbesenmotor links sidebroom left	92014455	12/6	
M20	Seitenbesenmotor rechts sidebroom right	92019017	12/16	
P20	Summer Fleetrecoreder buzzer fleetrecoreder	97134456	11/25	
R10	Widerstand R120 resistor R120	90266925	3/5	
R20	Lenkwinkelsensor sensor steer angle	92017995	9/21	
R102	Vorwiderstand 2k7 resistor 2k7	19245258	11/15	
R103	Vorwiderstand 4k7 resistor 4k7	19245216	11/7	
S01	Schlüsselschalter key switch	90323437	4/25	
S04	Schmutzwasserschalter dirty water switch	97142400	6/24	
S05	Sitzkontaktschalter seat control switch	90690694	6/30	
S10	Fußbremsschalter switch foot brake	90472176	8/12	
V01	Freilaufdiode recovery diode	90194879	5/7	
T10	Kombiantenne antenna	90672007	11/9	
Y01	Wasserventil watervalve	90435595	6/33	

Teil Part	Beschreibung Description	Sachnummer Code no	Position Sheet Pos	Ort Loc
XS01	USSP ussp	-	4/31	
XS02	USSP ussp	-	3/41	
XS03	USSP ussp	-	3/14	
XS06	USSP ussp	-	4/25	
XS08	USSP ussp	-	4/34	
XS09	USSP ussp	-	11/5	
XS10	USSP ussp	-	9/37	
XS11	USSP ussp	-	8/15	
XS12	USSP ussp	-	8/2	
XS13	USSP ussp	-	5/8	
XS14	USSP ussp	-	4/42	
XS15	USSP ussp	-	12/12	
XS16	USSP ussp	-	12/18	
XS17	USSP ussp	-	8/9	
XS19	USSP ussp	-	8/20	
XS20	USSP ussp	-	8/22	
XS23	USSP ussp	-	3/42	
XS24	USSP ussp	-	3/30	
XS25	USSP ussp	-	3/16	
XS26	Splice splice	-	3/1	
XS27	Splice splice	-	3/3	
XS28	USSP ussp	-	3/41	
XS34	Splice splice	-	5/11	
XS35	Splice splice	-	5/11	
XS36	USSP ussp	-	5/24	
XS37	USSP ussp	-	5/26	
XS38	USSP ussp	-	5/32	
XS39	USSP ussp	-	5/33	
XS40	USSP ussp	-	5/26	
XS41	USSP ussp	-	5/49	
XS42	USSP ussp	-	5/51	
XS43	USSP ussp	-	6/48	
XS44	USSP ussp	-	6/50	
XS45	USSP ussp	-	12/47	
XS77	USSP ussp	-	11/17	

2015	Date	Name	B175 R	Name	 Drawing Number 91037804										
Drawn by	18.03	Ri	Replacem for	Schaltplan B175 R / circuit diagram B175 R											
42	No. Number appears	Change No	Date	Name	Standard	Change No	0000-17	For this drawing we reserve all rights (acc. DIN ISO 16016)	KAB1 470	Type 7434	App. ELK	No. of Sh	15	Sheet	1

Teil Part	Beschreibung Description	Position Sheet Pos	Ort Loc
A01	Maschinensteuerung machine controller	X1 7/6 X2 7/6 X3 8/4 X4 9/26	X5 7/21 X6 7/27 X7 7/27 X8 7/15 X9 7/12 X10 7/15
A01/X11	Maschinensteuerung machine controller	X11/1 7/20 X11/2 7/25	X11/3 7/4 X11/4 7/16 X11/5 7/27 X11/6 7/4
A01/X12	Maschinensteuerung machine controller	X12/1 6/24 X12/2 7/4 X12/3 7/4 X12/4 6/27 X12/5 6/30	X12/6 6/36 X12/7 6/28 X12/8 6/28 X12/9 7/4 X12/10 6/29 X12/11 6/25 X12/12 6/32 X12/13 6/32 X12/14 6/29 X12/15 6/32 X12/16 6/32 X12/17 7/30 X12/18 7/30 X12/19 6/41 X12/20 7/4
A01/X13	Maschinensteuerung machine controller	X13/1 7/17 X13/2 6/48 X13/3 6/53 X13/4 6/40 X13/5 7/4	X13/6 6/43 X13/7 7/15 X13/8 6/51 X13/9 6/54 X13/10 6/34 X13/11 6/37 X13/12 7/4
A01/X14	Maschinensteuerung machine controller	X14/1 6/2 X14/2 6/4	X14/3 5/40 X14/4 5/37 X14/5 6/15 X14/6 6/2 X14/7 7/4 X14/8 5/35 X14/9 5/35 X14/10 7/4
A01/X15	Maschinensteuerung machine controller	X15/1 7/4 X15/2 7/4 X15/3 6/21 X15/4 6/24 X15/5 7/11	X15/6 6/28 X15/7 6/30 X15/8 6/53 X15/9 6/45 X15/10 6/45 X15/11 6/27 X15/12 6/10 X15/13 7/4 X15/14 7/4 X15/15 6/17 X15/16 6/25 X15/17 6/47 X15/18 6/33 X15/19 6/31 X15/20 6/12 X15/21 6/47 X15/22 6/51 X15/23 6/49
A01/X16	Maschinensteuerung machine controller	X16/1 5/41 X16/2 5/38	X16/3 5/50 X16/4 7/4 X16/5 5/43 X16/6 7/4 X16/7 5/51 X16/8 7/4
A01/X20	Maschinensteuerung machine controller	X20/1 7/4 X20/2 5/52	X20/3 5/4 X20/4 5/49 X20/5 5/51 X20/6 7/4
A01/X22	Maschinensteuerung machine controller	X22 6/56	
A02	Bedienfeld touch panel	X101/1 5/5 X101/2 5/11 X101/3 5/7 X101/4 5/9 X101/7 5/5	X103/1 5/20 X103/2 5/22 X104/5 5/7 X104/6 5/7 X104/105/10 X105/1 5/22 X105/1 5/24 X105/2 5/22 X105/2 5/25 X105/5 5/27 X109/1 5/16 X109/2 5/18 X109/3 5/16 X109/4 5/20
A04	Fahrsteuerung drive controller	FBat1/5-8/8 NBat1/5-8/8	M1/1 8/45 M2/1 8/42 M3/1 8/43 M4/1 8/50
A04/A	Fahrsteuerung drive controller	A/1 8/33 A/2 8/34 A/3 8/40 A/4 8/15 A/5 8/15	A/6 8/14 A/7 8/15 A/8 8/47 A/9 8/48 A/10 8/21 A/11 8/14 A/12 8/11 A/13 8/52 A/14 8/30 A/15 8/46
A04/B	Fahrsteuerung drive controller	B/1 7/4 B/2 7/4	B/3 7/4 B/4 7/4 B/5 8/20 B/6 8/19 B/7 7/4 B/8 7/4
A04/C	Fahrsteuerung drive controller	C/1 8/45 C/2 8/47	C/3 8/50 C/4 8/50 C/5 8/49 C/6 8/48
A05	Fahrsteuerung drive controller	FBat1/5-9/15 NBat1/5-9/15	M1/1 9/37 M2/1 9/39 M3/1 9/40
A05/A	Fahrsteuerung drive controller	A/1 7/4 A/2 7/4 A/3 7/4 A/4 9/38 A/5 7/4	A/6 9/52 A/7 7/4 A/8 9/22 A/9 9/23 A/10 9/43 A/11 9/43 A/12 9/41 A/13 9/45 A/14 7/4 A/15 9/43
A05/B	Fahrsteuerung drive controller	B/1 7/4 B/2 7/4	B/3 7/4 B/4 7/4 B/5 9/24 B/6 9/25 B/7 7/4 B/8 7/4
A05/C	Fahrsteuerung drive controller	C/1 8/44 C/2 8/45	C/3 9/38 C/4 9/42 C/5 9/48 C/6 9/48
A07	Steuerung Seitenbesen controller side brush	X1/1 12/1 X1/2 12/1	X2/1 12/5 X2/2 12/12 X3/1 12/13 X3/2 12/14 X3/3 12/16 X3/4 12/17 X4/1 12/5 X4/4 12/9
A20	Fleetrecorder fleetrecorder	X1/1 11/3 X1/2 11/3 X1/3 11/4 X1/4 11/9 X1/5 11/12	X1/6 11/15 X1/7 11/15 X1/8 7/4 X1/9 11/17 X1/10 11/9 X1/11 11/11 X1/12 11/12 6/5/1 11/9 6/5/1 11/9

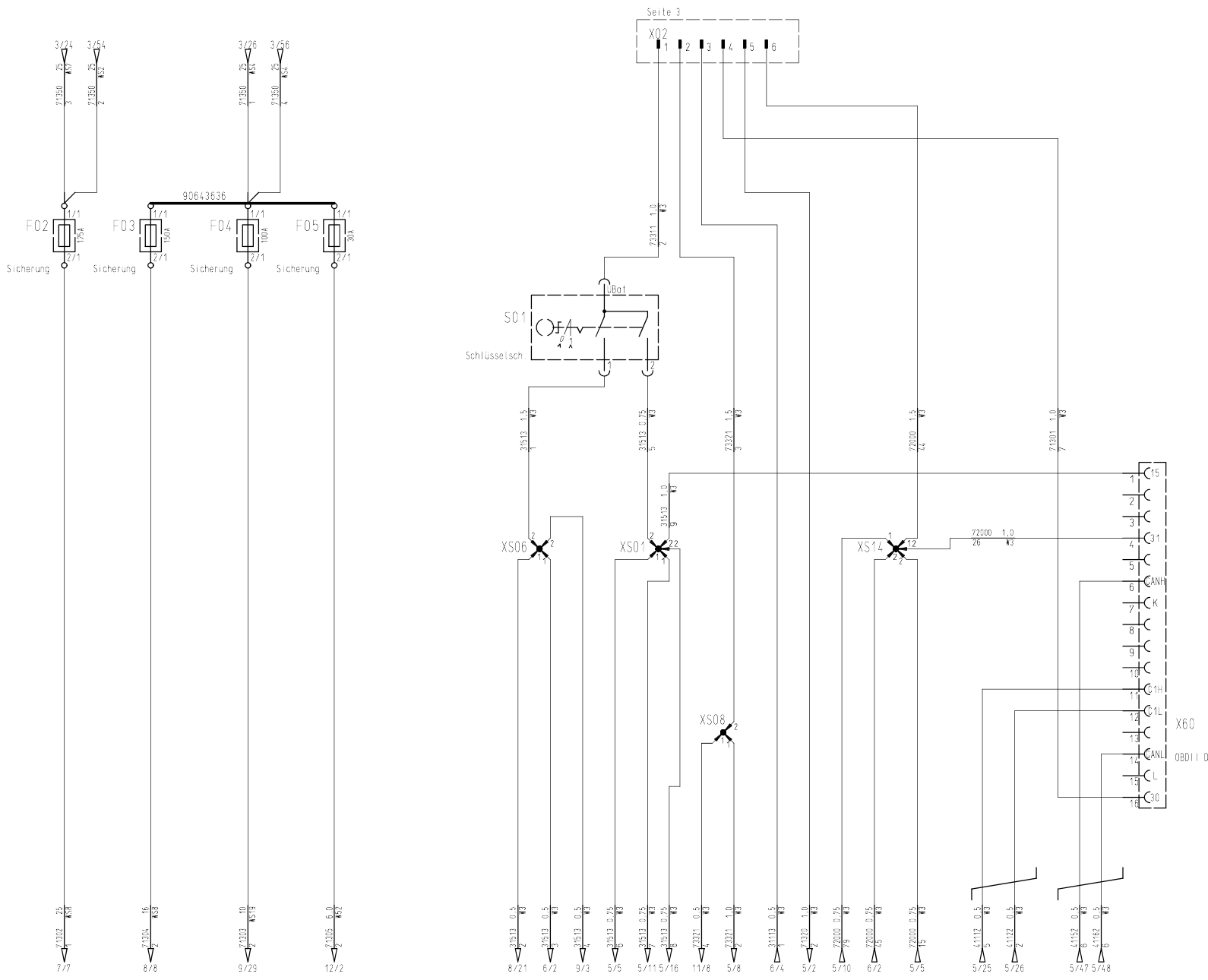
Teil Part	Beschreibung Description	Sachnummer Code no	Position Sheet Pos	Ort Loc
	Kabelbaum W1 (Variante mit OnBoard Charger) Wiring harness W1 (variant with OnBoard Charger)	97141576		
	Kabelbaum W1 (Variante ohne OnBoard Charger) Wiring harness W1 (variant without OnBoard Charger)	97141584		
	Kabelbaum W2 (Variante mit OnBoard Charger) Wiring harness W2 (variant with OnBoard Charger)	97141030		
	Kabelbaum W2 (Variante ohne OnBoard Charger) Wiring harness W2 (variant without OnBoard Charger)	97141048		
	Kabelbaum W3 Wiring harness W3	97140974		
	Kabelbaum W4 Wiring harness W4	97142285		
	Kabelbaum W10 Wiring harness W10	97142590		
	Kabelbaum W18 (Variante Allrad) Wiring harness W18 (variant all-wheel-drive)	97140826		
	Kabelbaum W19 (Variante Allrad) Wiring harness W19 (variant all-wheel-drive)	97140835		
	Kabelbaum W29 wiring harness W29	97145791		
	Kabelbaum W35 (Walzenbürste) wiring harness W35 (cyl. brush)	97149777		
	Kabelbaum W36 (Walzenbürste) wiring harness W36 (cyl. brush)	97149785		
	Kabelbaum W52 (Option Seitenbesenanlage) wiring harness W52 (option side brush)	97139182		
	Kabelbaum W53 (Option Seitenbesenanlage) wiring harness W53 (option side brush)	97146161		
	Kabelbaum W65 (Option Blitzleuchte) Wiring harness W65 (option flashlight)	97144844		
	Kabelbaum W66 (Opt. Blitzleuchte Fahrerschutzdach) Wiring harness W66 (option flashlight roof)	97144851		
	Kabelbaum W77 (Option Fleetrecorder) Wiring harness W77 (option data recording)	97142178		
	Kabelsatz WS2 (Variante mit OnBoard Ladegerät) Cable set WS2 (variant with OnBoard Charger)	97141600		
	Kabelsatz WS2 (Variante ohne OnBoard Ladegerät) Cable set WS2 (variant without OnBoard Charger)	97141618		
	Kabelsatz WS3 cable set WS3	97142970		
	Kabelsatz WS4 (Variante mit OnBoard Ladegerät) cable set WS4 (variant with OnBoard Charger)	97142327		
	Kabelsatz WS4 (Variante ohne OnBoard Ladegerät) cable set WS4 (variant without OnBoard Charger)	97142335		
	Kabelsatz WS6 cable set WS6	97145916		
	Kabelsatz WS8 cable set WS8	97140933		
	Kabelsatz WS10 cable set WS10	97142939		
	Kabelsatz WS19 (Variante Allrad) cable set WS19 (variant all-wheel-drive)	97140842		
	Kabelsatz WS30 Wiring harness WS30	97140925		



Legende

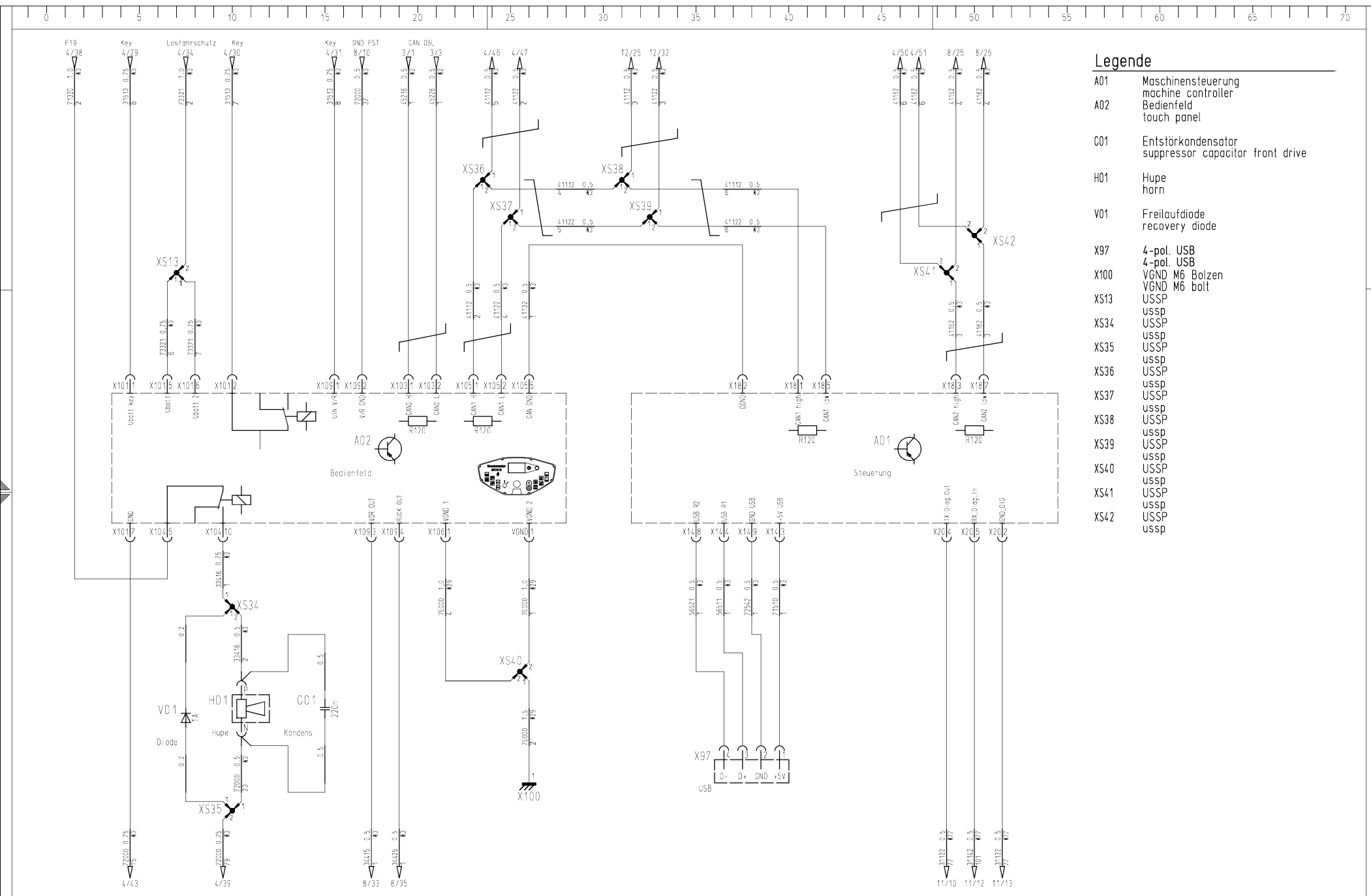
- F01 Sicherung Steuerspannung 7,5A
fuse controller 7,5A
- F01. Sicherung Steuerspannung 7,5A
fuse controller 7,5A
- F19 Sicherung Hupe 5A
fuse horn 5A
- F19. Sicherung Hupe 5A
fuse horn 5A
- G01 Batterie 320Ah PzS
battery 320Ah PzS
- G01. Batterie 280Ah PzV
battery 280Ah PzV
- G10 Onboard-Ladegerät 35A
onboard charger 35A
- K01 Hauptrelais 2-pol.
main relais 2-pole
- K01. Hauptrelais 1-pol.
main relais 1-pole
- R10 Widerstand R120
resistor R120
- X01 Batteriestecker 160A
battery connector 160A
- X01. Batteriestecker 160A
battery connector 160A
- X02 6-pol. Fastin-Faston 6.3
6-pol. Fastin-Faston 6.3
- X02. 6-pol. Fastin-Faston 6.3
6-pol. Fastin-Faston 6.3
- X43 Verteilerbolzen (-) M8
junction bolt (-) M8
- XS02 USSP
- XS03 USSP
- XS23 USSP
- XS24 USSP
- XS25 USSP
- XS26 USSP
- XS27 USSP
- XS28 USSP

Integrated acc. 3737-53		26.03.18	Ri/omann	2015	Date	Name	B175 R	Name	Schaltplan B175 R / circuit diagram B175 R		 Drawing Number 91037804	
A2 No. Number appears		Change No.	Date	Name	Standard	Drawn by Verified	18.03	Ri	Replacem for Change No.	0000-17	For this drawing we reserve all rights (acc. DIN ISO 16016) KABL 470 Type 7434 2pp ELK No. of Sh 15 Sheet 3	



- ### Legende
- F02 Sicherung Maschinensteuerung 125A
fuse machine controller 125A
 - F03 Sicherung Fahrsteuerung vorne 150A
fuse drive controller front 150A
 - F04 Sicherung Fahrsteuerung hinten 100A
fuse drive controller rear 100A
 - F05 Sicherung Kehrversatz/Seitenbesen 30A
fuse front sweeper/side broom 30A
 - SO1 Schüsselschalter
key switch
 - X02 6-pol. Fastin-Faston 6.3
6-pol. Fastin-Faston 6.3
 - X60 OBDII Diagnosestecker
OBDII diagnostic connector
 - XS01 USSP
ussp
 - XS06 USSP
ussp
 - XS08 USSP
ussp
 - XS14 USSP
ussp

Integrated acc. 3737-53		26.03.18	Ri/omann	2015	Date	Name	B175 R	Name	Schaltplan B175 R / circuit diagram B175 R	 Drawing Number 91037804	
A2	No. Number appears	Change No.	Date	Name	Standard	Verified	Change No.	Replacem for	0000-17	For this drawing we reserve all rights (acc. DIN ISO 16016) KAB1 470 Type 7434 Dep. ELK No. of Sh 15 Sheet 4	



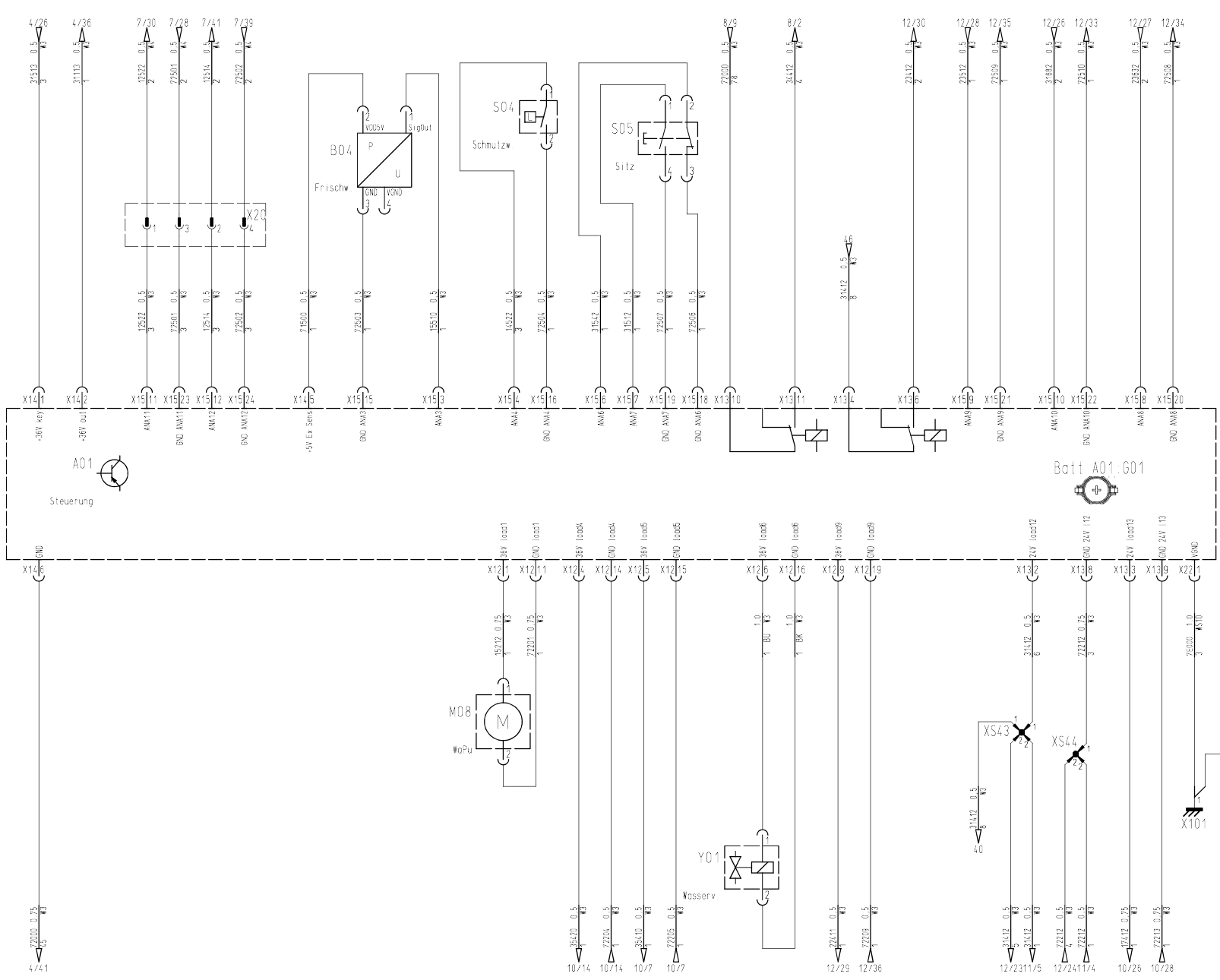
- ### Legende
- A01 Maschinensteuerung
machine controller
 - A02 Bedienfeld
touch panel
 - C01 Entstörkondensator
suppressor capacitor front drive
 - H01 Hupe
horn
 - V01 Freilaufdiode
recovery diode
 - X97 4-pol. USB
4-pol. USB
 - X100 VGND M6 Bolzen
VGND M6 bolt
 - XS13 USSP
ussp
 - XS34 USSP
ussp
 - XS35 USSP
ussp
 - XS36 USSP
ussp
 - XS37 USSP
ussp
 - XS38 USSP
ussp
 - XS39 USSP
ussp
 - XS40 USSP
ussp
 - XS41 USSP
ussp
 - XS42 USSP
ussp

	Integrated acc. 3737-53	26.03.18	Ri/omann	2015	Date 18.03	Name Ri	B175 R	Name	
				Drawn by	Verified		Replacem for	Schaltplan B175 R / circuit diagram B175 R	
				Standard			Change No. 0000-17	For this drawing we reserve all rights (acc. DIN ISO 16016)	

Hako GmbH
0-23840 Bad Olferssee

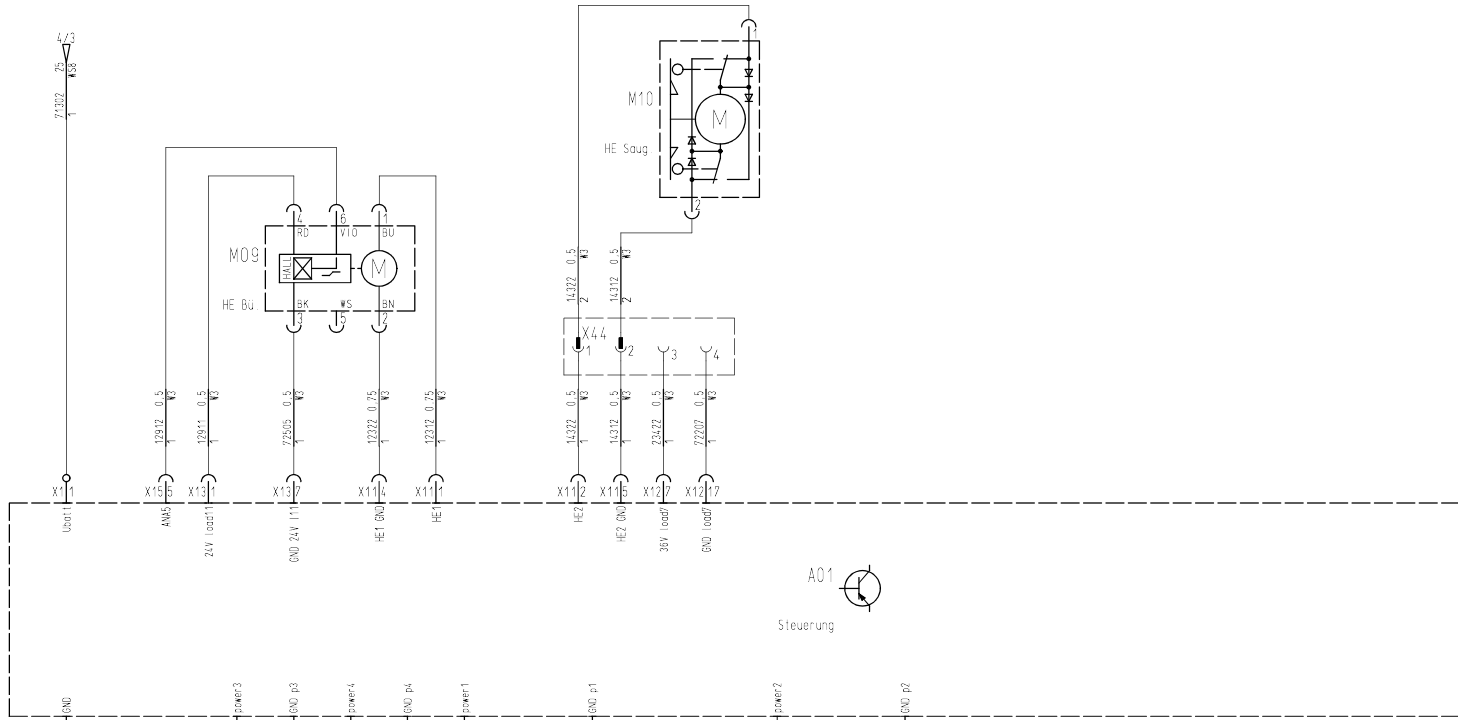
Drawing Number
91037804

No. of Sh 15 Sheet 5

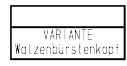
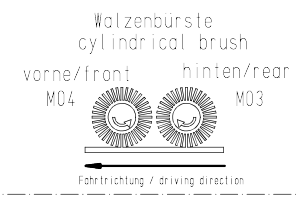
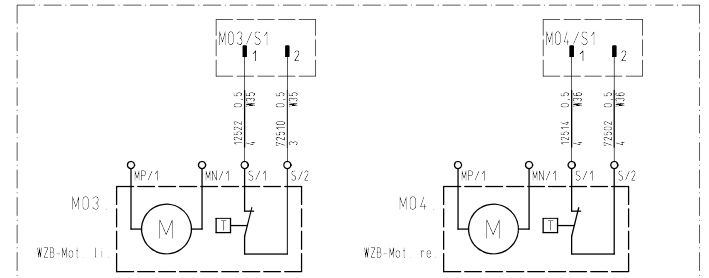
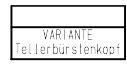
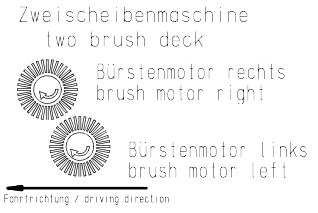
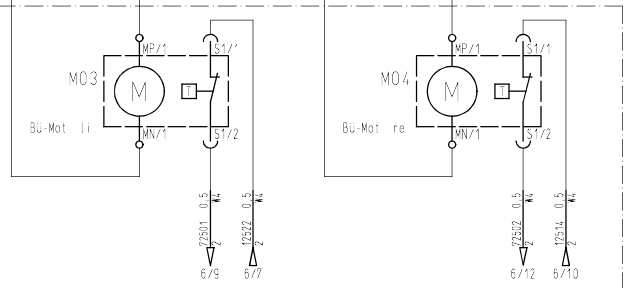
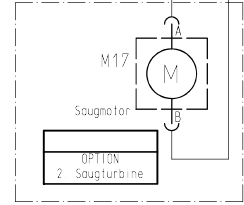
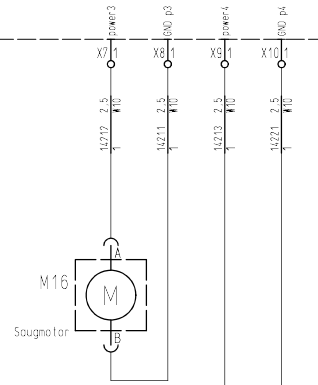


- ### Legende
- A01 Maschinensteuerung
machine controller
 - B04 Frischwassersensor
fresh water sensor
 - M08 Wasserpumpe
waterpump
 - S04 Schmutzwasserschalter
dirty water switch
 - S05 Sitzkontaktschalter
seat contact switch
 - X20 4-pol. Mini-Fit Jr.
4-pol. Mini-Fit Jr.
 - X101 V6ND M6 Bolzen
V6ND M6 bolt
 - XS43 USSP
ussp
 - XS44 USSP
ussp
 - Y01 Wasserventil
water valve

Integrated acc. 3737-53			26.03.18	Ri/omann	2015	Date	Name	B175 R		Name	Schaltplan B175 R / circuit diagram B175 R	 Hako GmbH 0-23848 Bad Olsarsee	Drawing Number	
A2	No.	Number appears	Change No.	Date	Name	Standard	Drawn by	18.03	Ri	Replacem for			KAB1 470	91037804
For this drawing we reserve all rights (acc. DIN ISO 16016)											Type 7434	Dep. ELK	No. of Sh. 15	Sheet 6

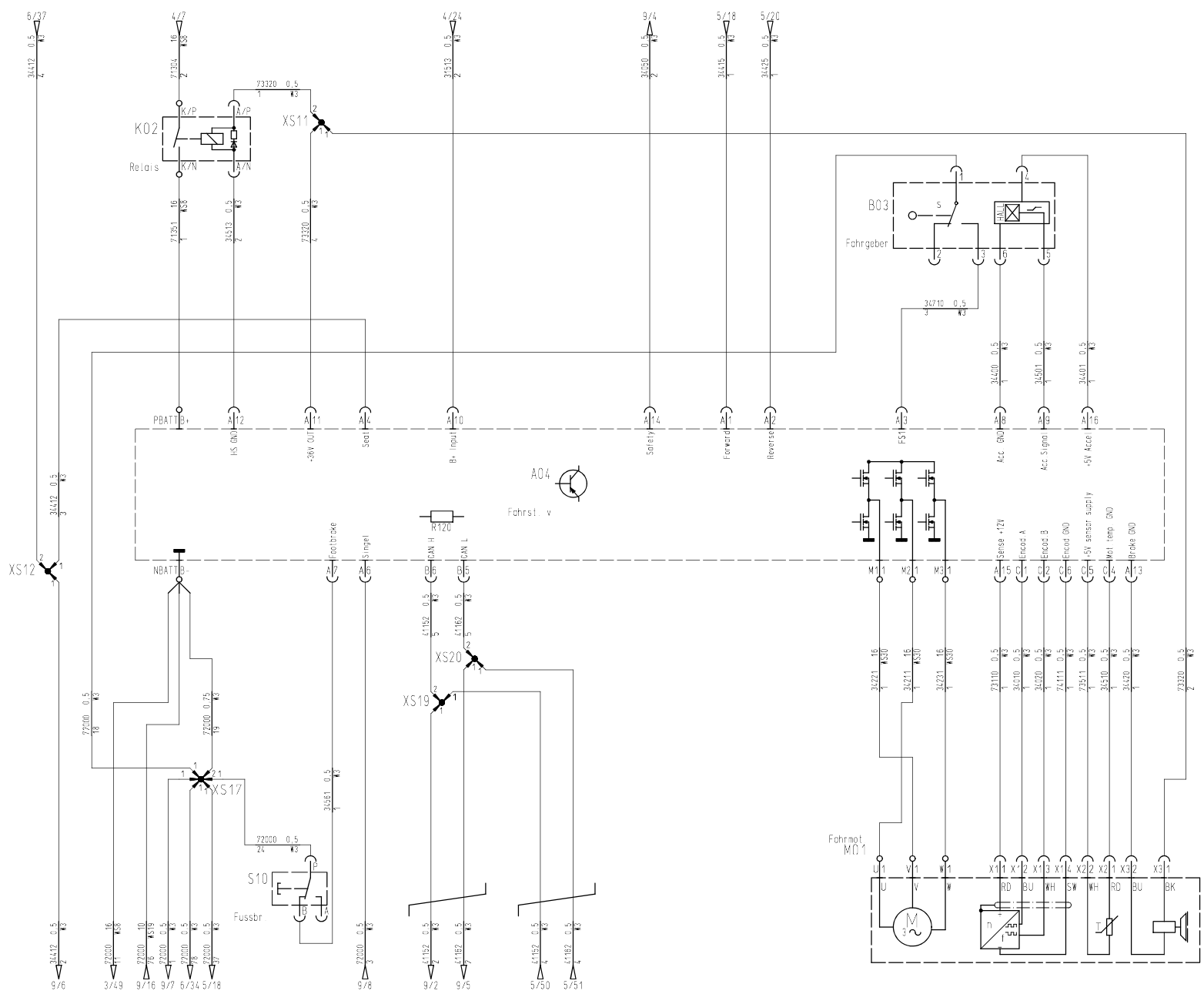


- ### Legende
- A01 Maschinensteuerung
machine controller
 - M03 Bürstenmotor links (Tellerbürste)
brush motor left (plate brush)
 - M03 Bürstenmotor links (Walzenbürste)
brush motor left (cylindrical brush)
 - M03/S1 2-pol. AMP Super-Seal
2-pol. AMP Super-Seal
 - M04 Bürstenmotor rechts (Tellerbürste)
brush motor right (plate brush)
 - M04 Bürstenmotor rechts (Walzenbürste)
brush motor right (cylindrical brush)
 - M04/S1 2-pol. AMP Super-Seal
2-pol. AMP Super-Seal
 - M09 Hubelement Bürstendeck
lifting element brushdeck
 - M10 Hubelement Saugfuß
lifting element squeegee
 - M16 Saugmotor
suction motor
 - M17 Saugmotor
suction motor
 - X44 4-pol. Fastin-Faston 6.3
4-pol. Fastin-Faston 6.3



2015 Date Name B175 R		2015 Date Name B175 R		Name		Name		Drawing Number	
Integrated acc. 3737-53		26.03.18 Ri/omann		18.03 Ri		Replacem for		Schaltplan B175 R / circuit diagram B175 R	
42 No. Number appears Change No.		Date Name Standard		Change No. 0000-17		For this drawing we reserve all rights (acc. DIN ISO 15016:16)		KAB1 470 Type 7434 Dep. ELK No. of Sh. 15 Sheet 7	





Legende

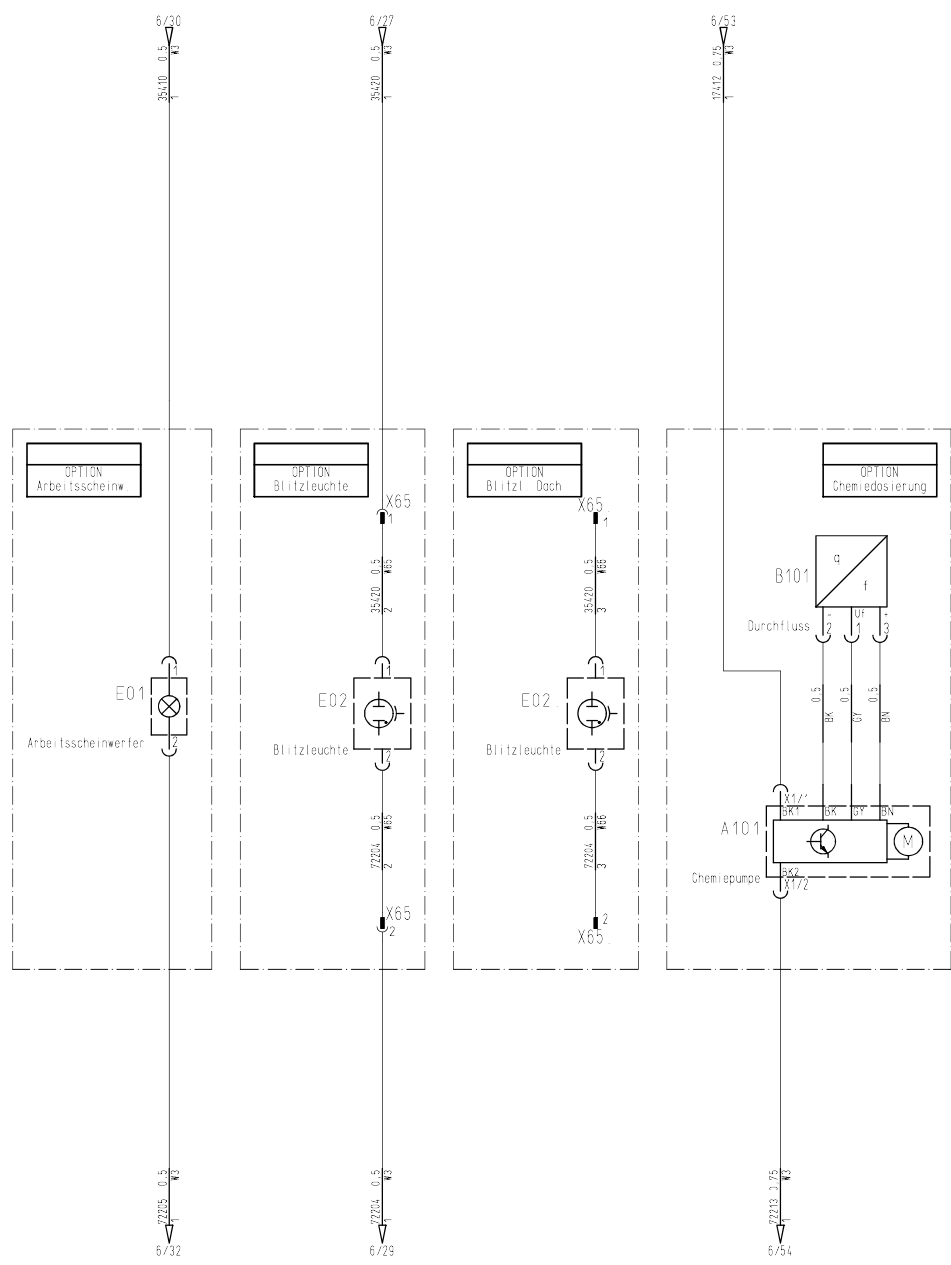
- A04 Fahrsteuerung Vorderrad
drive controller
- B03 Fahrer
accelerator
- K02 Relais 1-pol.
relais 1-pole
- M01 Fahrmotor
drive motor
- S10 Fußbremsschalter
switch foot brake
- XS11 USSP
ussp
- XS12 USSP
ussp
- XS17 USSP
ussp
- XS19 USSP
ussp
- XS20 USSP
ussp

2015		Date	Name	B175 R		Name		Drawing Number	
Integriert acc		26.03.18	Riömann	Drawn by	18.03	Replacem for		Schaltplan B175 R / circuit diagram B175 R	
42		No. Number appears	Change No.	Standard		Change No.		91037804	
3737-53						0000-17		For this drawing we reserve all rights (acc. DIN ISO 16016)	
						K461 470		Type 7434 Dep. ELK No. of Sh 15 Sheet 8	

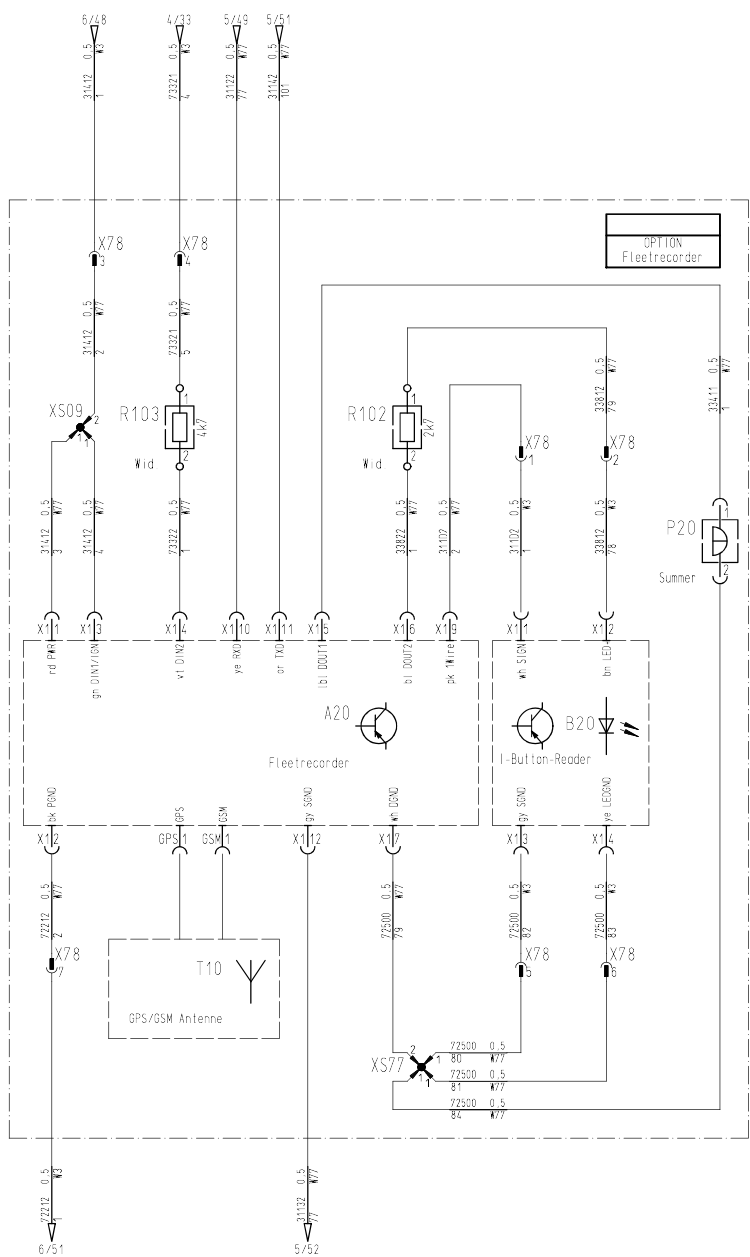


Legende

- A101 Chemiepumpensteuerung
chemical pump controller
- B101 Durchflussmesser
flow sensor
- E01 Arbeitsscheinwerfer
working headlight
- E02 Blitzleuchte
warning beacon
- E02. Blitzleuchte am Schutzdach
warning beacon on overhead cover
- X65 2-pol. Mini-Fit Jr.
2-pol. Mini-Fit Jr.
- X65. 2-pol. Mini-Fit Jr.
2-pol. Mini-Fit Jr.



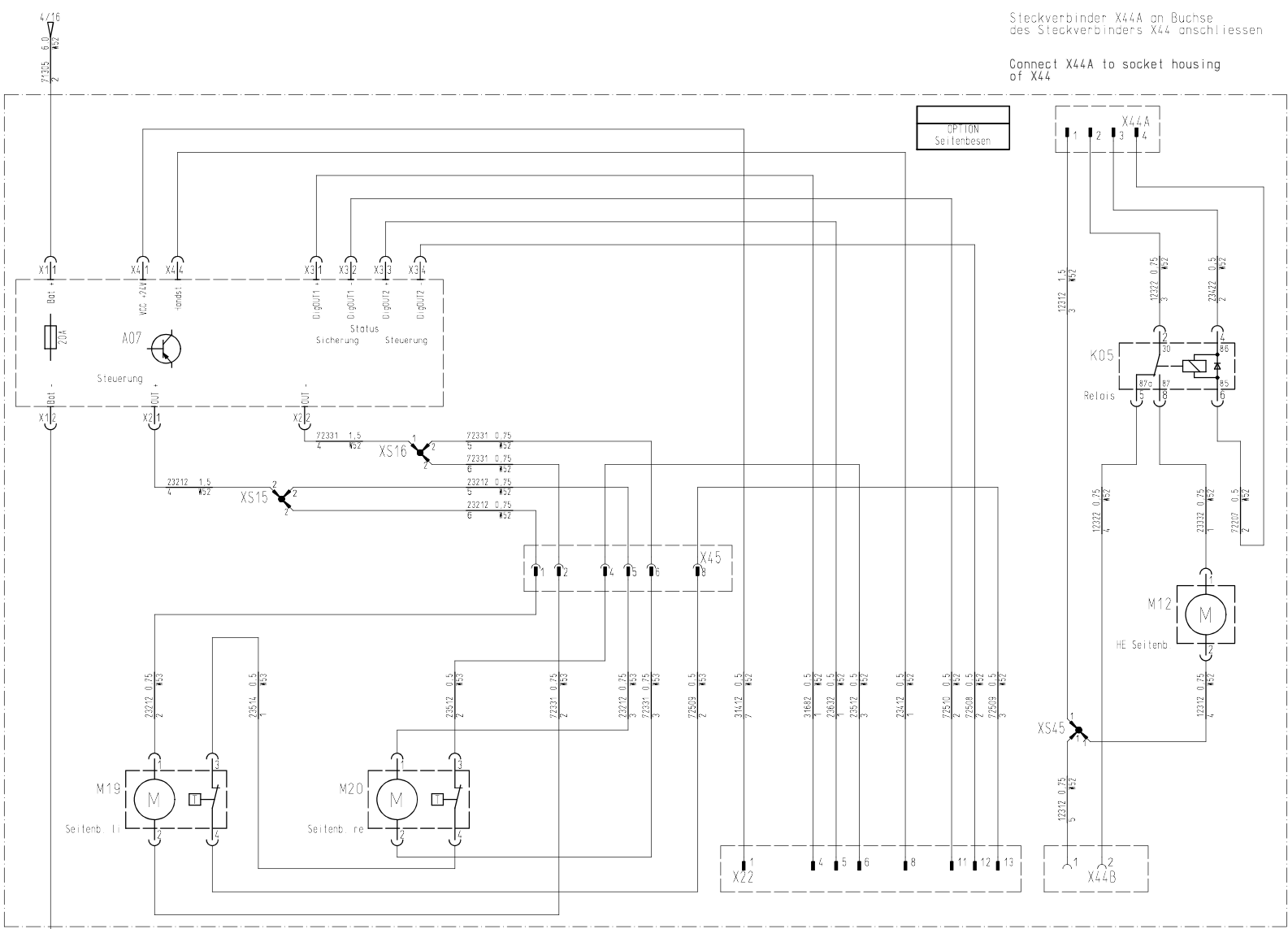
Integrated acc. 3737-53		26.03.18	Riömann	2015	Date	Name	B175 R	Name	Schaltplan B175 R / circuit diagram B175 R		 Drawing Number 91037804	
No. Number appears		Change No.	Date	Name	Standard	Drawn by	18.03	Ri	Replacem for	For this drawing we reserve all rights (acc. DIN ISO 16016)		No. of Sh
42									Change No.	0000-17	KAB1 470	10
										0000-17	Typ 7434	Dep. ELK



Legende

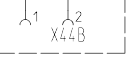
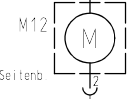
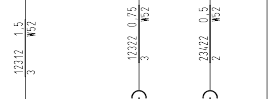
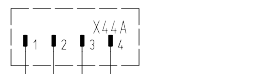
- A20 Fleetrecorder
fleetrecorder
- B20 I-Button-Reader
i-button-reader
- P20 Summer Fleetrecorder
buzzer fleetrecorder
- R102 Vorwiderstand 2k7
resistor 2k7
- R103 Vorwiderstand 4k7
resistor 4k7
- T10 Kombiantenne
antenna
- X78 8-pol. MicroFit
8-pol. MicroFit
- XS09 USSP
ussp
- XS77 USSP
ussp

integrated acc.		3737-53	26.03.18	Riömann	2015	Date	18.03	Name	B175 R	Name	Schaltplan B175 R / circuit diagram B175 R		 Hako GmbH 0-23840 Oed. Gltzsee	Drawing Number	91037804		
A2	No.	Number appears	Change No.	Date	Name	Standard			Replacem for	Change No.	0000-17	For this drawing we reserve all rights (acc. DIN ISO 16016)		KAB1 470	Type 7434	Dep. ELK	No. of Sh. 15



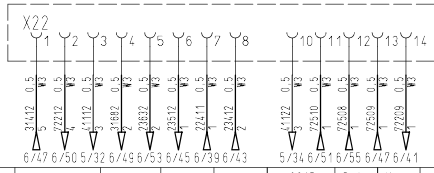
Steckverbinder X44 an Buchse des Steckverbinders X44 anschliessen

Connect X44A to socket housing of X44



Steckverbinder X44B an Stecker des Steckverbinders X44 anschliessen

Connect X44B to plug housing of X44



Legende

- A07 Steuerung Seitenbesen controller side brushes
- K05 Rel. Ausheb. rel. sidebr.
- M12 Hubelement Seitenbesenanlage lifting element side brush deck
- M19 Seitenbesenmotor links sidebroom left
- M20 Seitenbesenmotor rechts sidebroom right
- X22 14-pol. Mini-Fit Jr. 14-pol. Mini-Fit Jr.
- X44A 4-pol. Fastin-Faston 6.3 4-pol. Fastin-Faston 6.3
- X44B 4-pol. Fastin-Faston 6.3 4-pol. Fastin-Faston 6.3
- X45 8-pol. Mini-Fit Jr. 8-pol. Mini-Fit Jr.
- XS15 USSP ussp
- XS16 USSP ussp
- XS45 USSP ussp

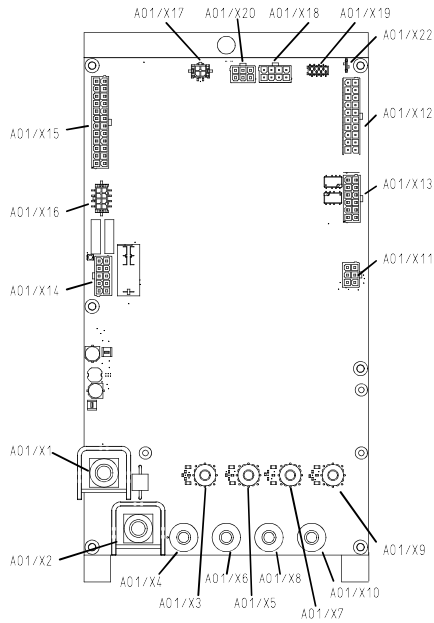


Integrated acc. 3737-53		26.03.18	Riömann	2015	Date	Name	B175 R	Name	Schaltplan B175 R / circuit diagram B175 R
Drawn by		18.03	Verified					Replacem for	
Change No		0000-17						For this drawing we reserve all rights (acc. DIN ISO 16016)	KAB1 470

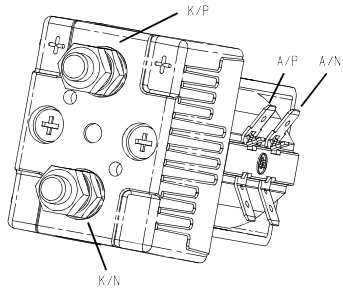
 Hako GmbH 0-23848 Bad Olsfleese		Drawing Number	91037804
Type 7434	Dep. ELK	No. of Sh	15
		Sheet	12

Elektronikraum
electronic space

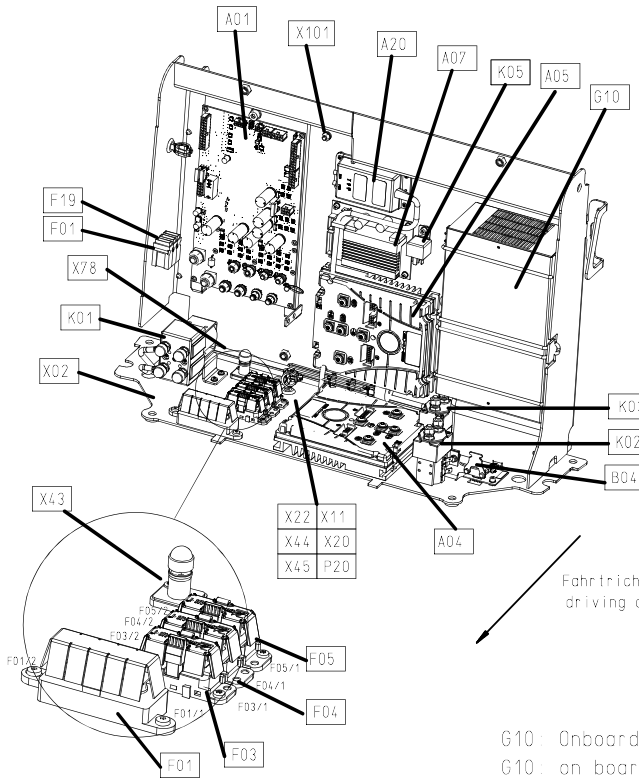
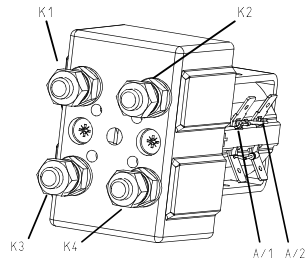
A01: Maschinensteuerung
A01: machine controller



K01: Relais (ohne Onboard-Ladegerät)
K01: relay (without Onboard-Charger)

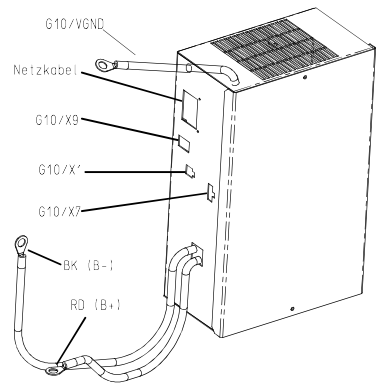


K01: Relais (mit Onboard-Ladegerät)
K01: relay (with Onboard-Charger)

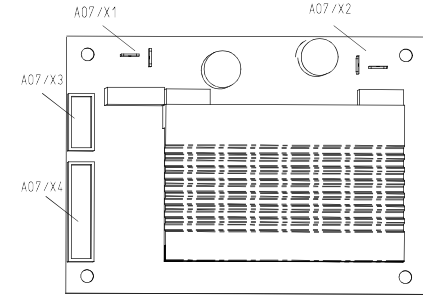


Fahrrichtung
driving direction

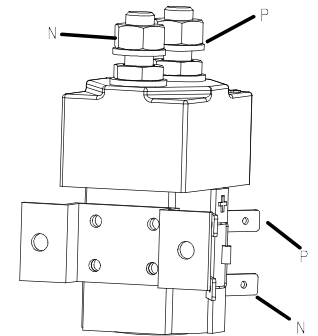
G10: Onboard-Ladegerät
G10: on board charger



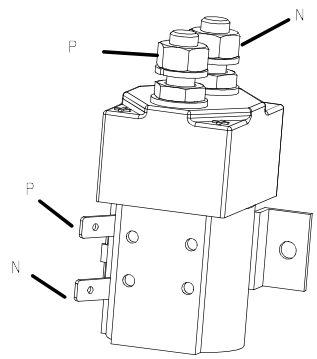
A07: Steuerung Seitenbesenmotoren
A07: controller side brush motors



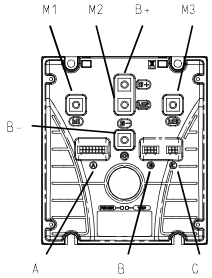
K03: Relais
K03: relay



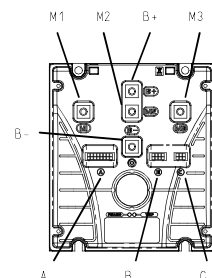
K02: Relais
K02: relay



A05: Fahrsteuerung
A05: drive controller

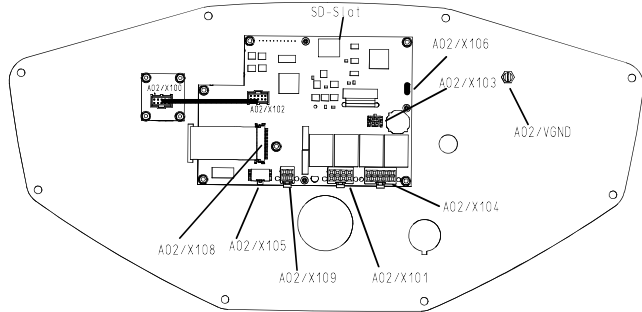


A04: Fahrsteuerung
A04: drive controller

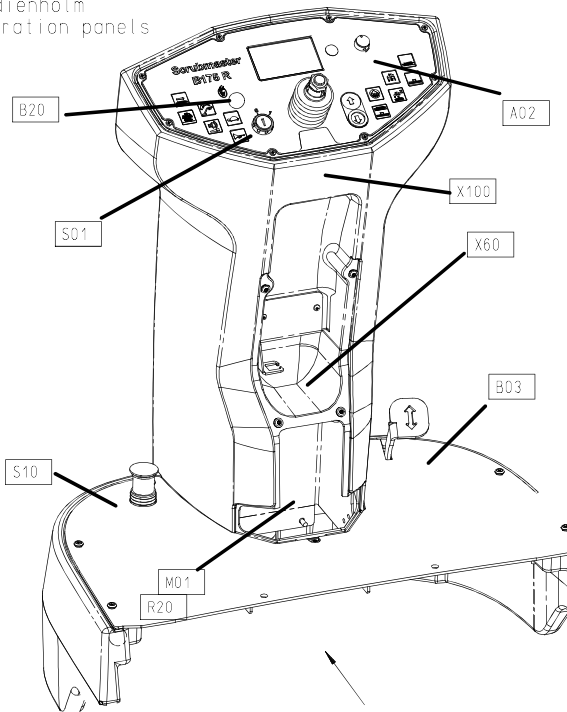


Integrated acc. 3737-53		26.03.18	Riömann	2015	Date	Name	B175 R	Name	Schaltplan B175 R / circuit diagram B175 R	 Hako GmbH 0-23840 Bad Olferssee	Drawing Number	91037804							
A2	No. Number appears	Change No.	Date	Name	Standard	Drawn by	18.03	Verified	Replacem for		Change No.	0000-17	For this drawing we reserve all rights (acc. DIN ISO 16016)	KABl 470	Type 7434	Dep. ELK	No. of Sh	15	Sheet

A02 Bedienfeld (Blick auf Platine)
 A02: control panel (view of the board)

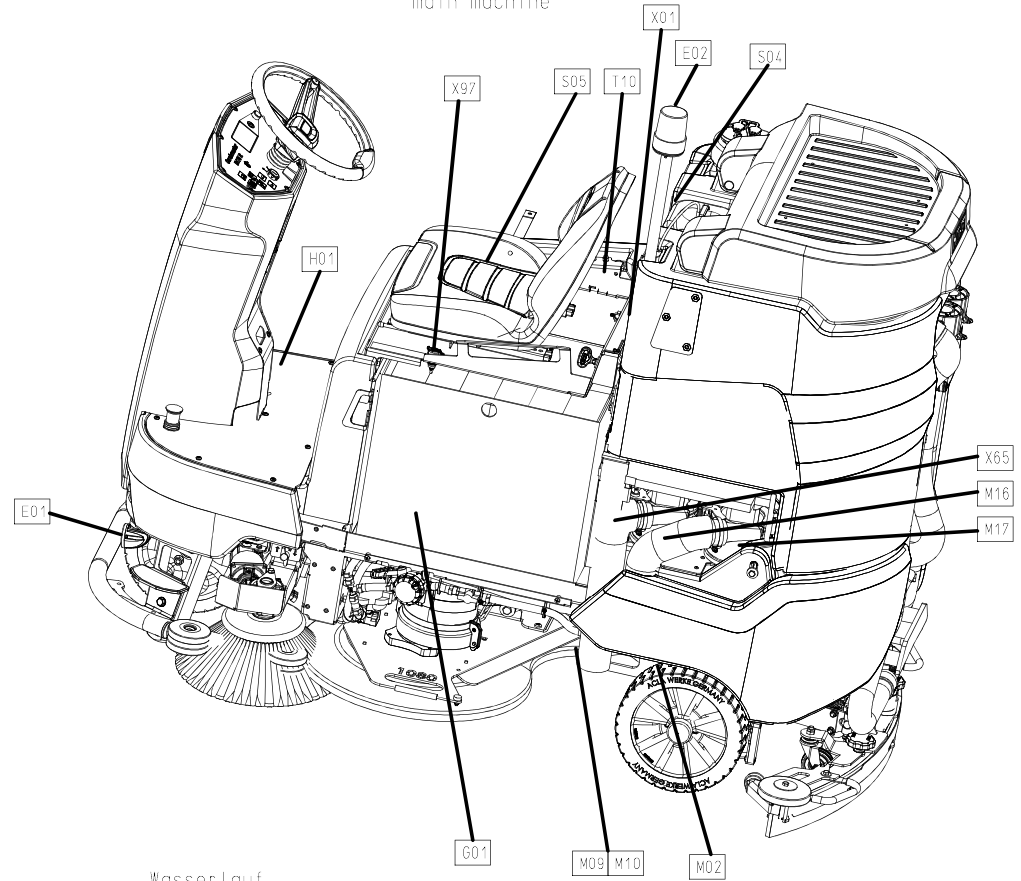


Bedienholm
 operation panels

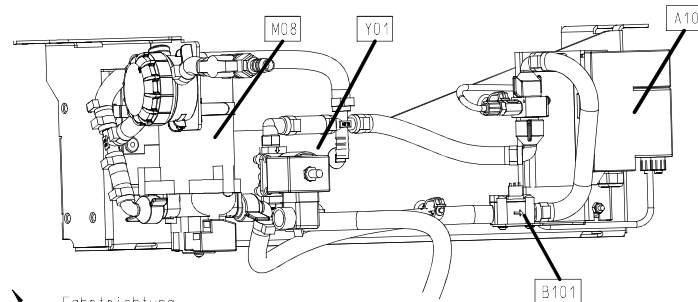


Fahrtrichtung
 driving direction

Gesamtmaschine
 main machine

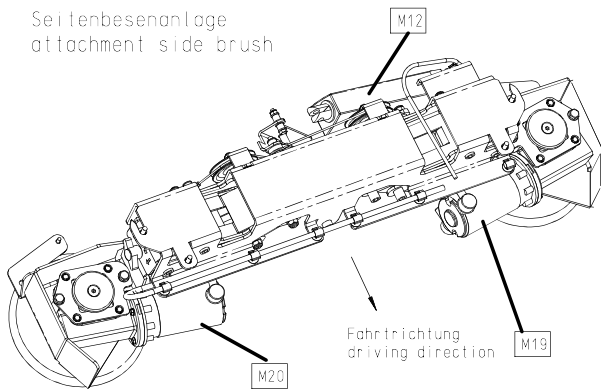
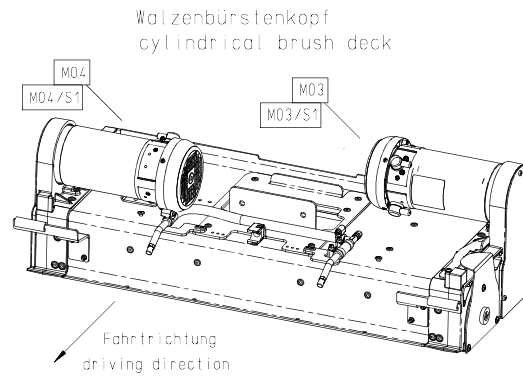
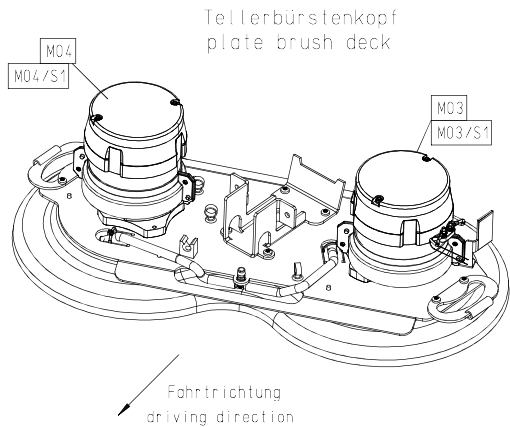


Wasserlauf
 water supply



Fahrtrichtung
 driving direction

				2015	Date	Name	B175 R	Name	 Hako GmbH 0-23840 Oos-Glriessee	Drawing Number
Integrated acc. 3737-53				26.03.18	Riömann	Drawn by Verified	18.03	Ri		Replacem for Change No. 0000-17
A2	No.	Number appears	Change No.	Date	Name	Standard			For this drawing we reserve all rights (acc. DIN ISO 16016)	K461 470 Type 7434 Dep. ELK No. of Sh. 15 Sheet 14



Integrated acc.		3737-53	26.03.18	Riömann	2015	Date	18.03	Name	Ri	B175 R	Name	Schaltplan B175 R / circuit diagram B175 R		Hako Hako GmbH 0-23840 Bad Olferssee		Drawing Number 91037804			
A2	No.	Number appears	Change No.	Date	Name	Standard				Replacem for	For this drawing we reserve all rights (acc. DIN ISO 16016)		KAB1 470	Type 7434	Dep. ELK	No. of Sh	15	Sheet	15
										Change No.	0000-17								